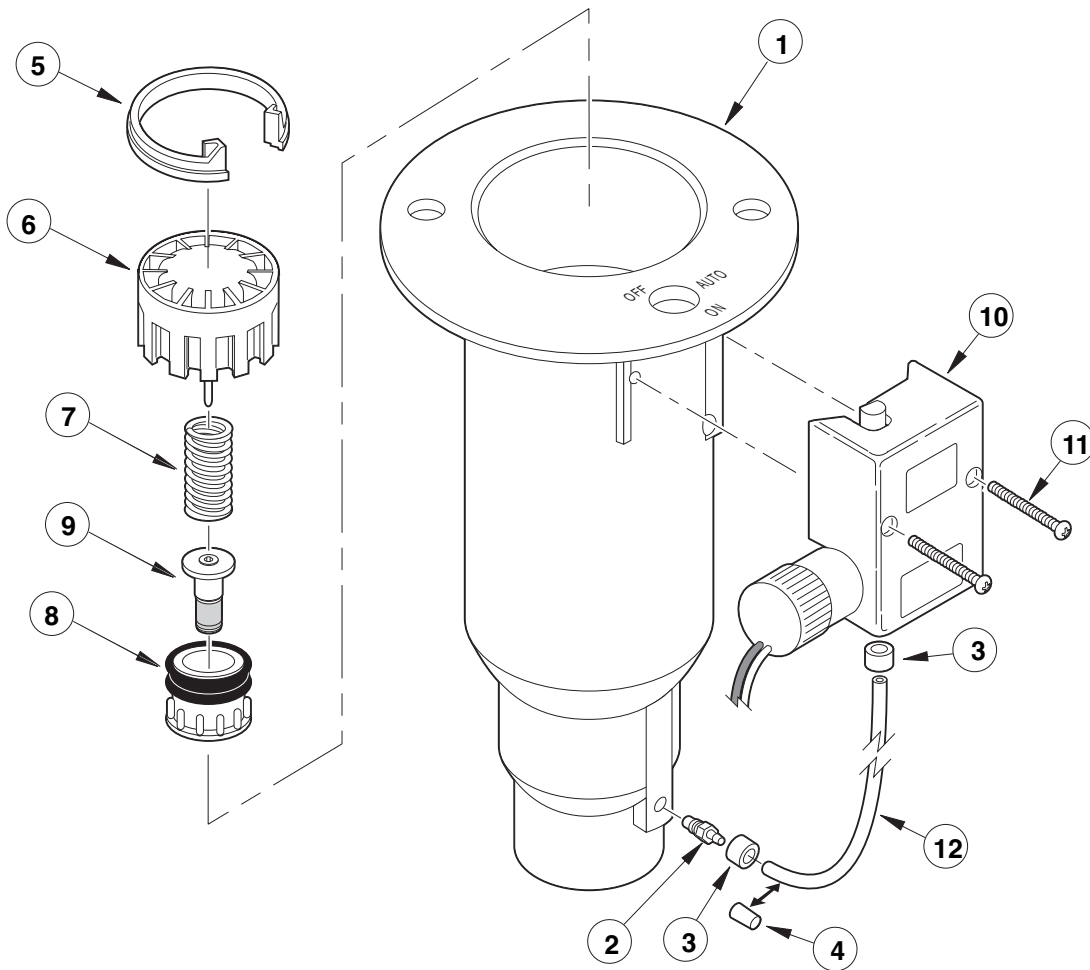


Golf Sprinkler Body — 1 Inch



| Item No. | Part No. | Description | Quantity Per Assy. |
|--|-----------|--|--------------------|
| | | 1 INCH NPT BODY STYLE | |
| 1 | 35-9421 | Electric w/o VIH (Includes Items 1-4) | 1 |
| 1 | **89-4128 | Electric w/o VIH, Ribless (Includes Items 1-4) | 1 |
| 1 | 102-0083 | Electric w/VIH, 720 (Includes Items 1-9) | 1 |
| 1 | 35-9418 | Hydraulic NO w/o VIH (Includes Items 1-4) | 1 |
| 1 | **89-4126 | Hydraulic NO w/o VIH, Ribless (Includes Items 1-4) | 1 |
| 1 | 35-9453 | COM w/o VIH (Includes Items 1-3 & 12) | 1 |
| 1 | **89-4127 | COM w/o VIH, Ribless (Includes Items 1-3 & 12) | 1 |
| | | 1 INCH BSP BODY STYLE | |
| 1 | 35-9386 | Electric w/o VIH (Includes Items 1-4) | 1 |
| 1 | **89-4131 | Electric w/o VIH, Ribless (Includes Items 1-4) | 1 |
| 1 | 102-0084 | Electric w/VIH, 720 (Includes Items 1-9) | 1 |
| 1 | 35-9385 | Hydraulic NO w/o VIH (Includes Items 1-4) | 1 |
| 1 | **89-4129 | Hydraulic NO w/o VIH, Ribless (Includes Items 1-4) | 1 |
| 1 | 35-9294 | COM w/o VIH (Includes Items 1-3 & 12) | 1 |
| 1 | **89-4130 | COM w/o VIH, Ribless (Includes Items 1-3 & 12) | 1 |
| **Note: Ribless bodies are used with sprinklers manufactured prior to July 1993. | | | |

| Item No. | Part No. | Description | Quantity Per Assy. |
|----------|-----------|--|--------------------|
| | | 1 INCH ACME BODY STYLE | |
| 1 | 89-8635 | 1" ACME Body Style, Electric w/o VIH (Includes Items 1-4) | 1 |
| 1 | 102-0085 | 1" ACME Body Style, Electric w/VIH, 720 (Includes Items 1-9) | 1 |
| 1 | 89-8643 | 1" ACME Body Style, Hydraulic NO w/o VIH (Includes Items 1-4) | 1 |
| 1 | 89-8641 | 1" ACME Body Style, COM w/o VIH (Includes Items 1-3 & 12) | 1 |
| 2 | 9-6002 | Adapter, Tubing, Threaded, 1/4" | 1 |
| 3 | *900-40 | Retainer, Tube | 2 |
| 4 | 89-8157 | Cap, Poly | 1 |
| 5 | 89-4702 | Snap Ring, Valve | 1 |
| 6 | 9-1485 | Cylinder Assy., NO & COM | 1 |
| 6 | 9-1487 | Cylinder Assy., EL & NC | 1 |
| 7 | 3-2633 | Spring, Valve, NO, EL & NC | 1 |
| 7 | 89-5821 | Spring, Valve, COM | 1 |
| 8 | 89-1044 | Piston Assy., NO & COM | 1 |
| 8 | 89-1054 | Piston Assy., EL & NC, (Includes Item 9) | 1 |
| 8 | 102-0081 | Piston Assy., EL (720 Only) (Includes Item 9) | 1 |
| 9 | 35-9646 | Filter Assy., Metering, EL & NC | 1 |
| 10 | - - - - - | Pilot Valve Assy. (See p. 108) | 1 |
| 11 | 3-2696 | Screw, Tap #8 | 2 |
| 12 | 9-2622 | Tubing, Poly, 1/4" x 6 1/4", EL & NC | 1 |
| 12 | 9-1876 | Tubing, Poly, 1/4" x 12", COM | 1 |
| | | SERVICE ITEMS | |
| | 89-1046 | Valve Assy., NO (Includes Items 6-8) | |
| | 89-1047 | Valve Assy., COM (Includes Items 6-8) | |
| | 89-1048 | Valve Assy., EL, NC (Includes Items 6-9) | |
| | 102-0082 | Valve Assy., EL, 720 (Includes Items 6-9) | |
| | 9-7271 | Adapter, 1/4" Poly (Oversize Thread) | |
| | | * Order Through Finished Goods Distribution System—Minneapolis | |